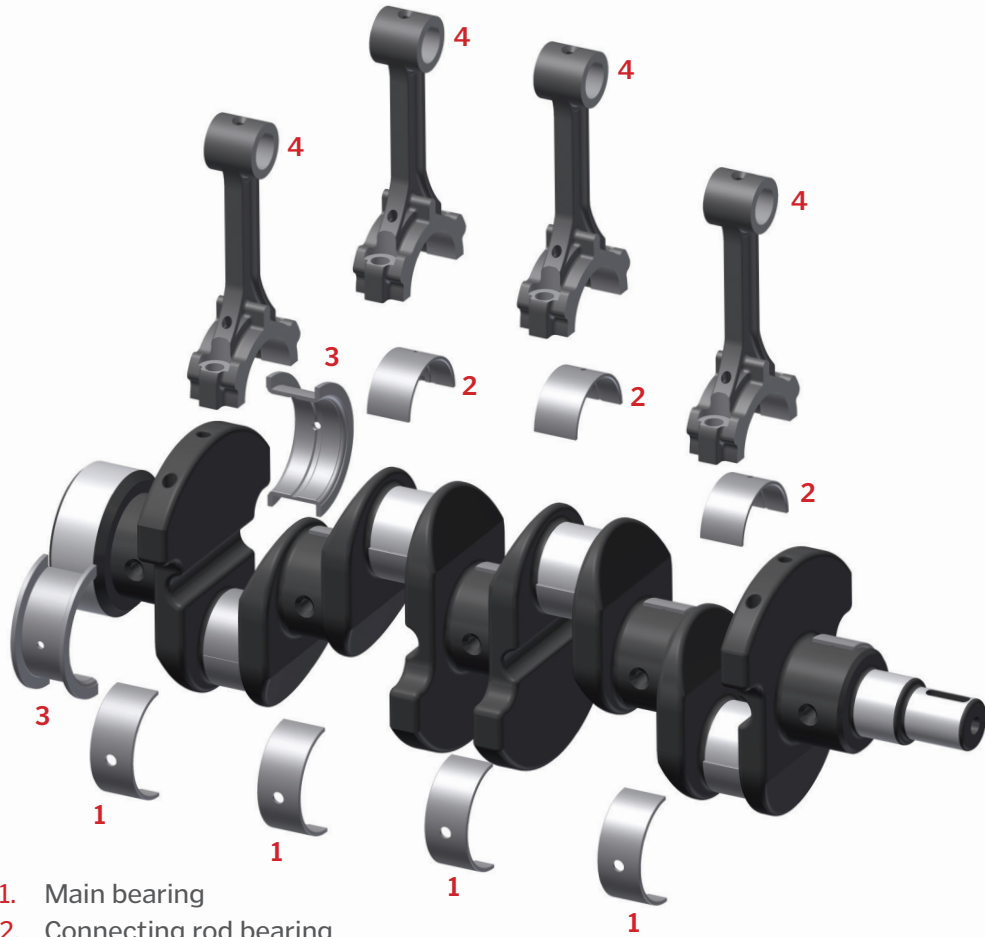
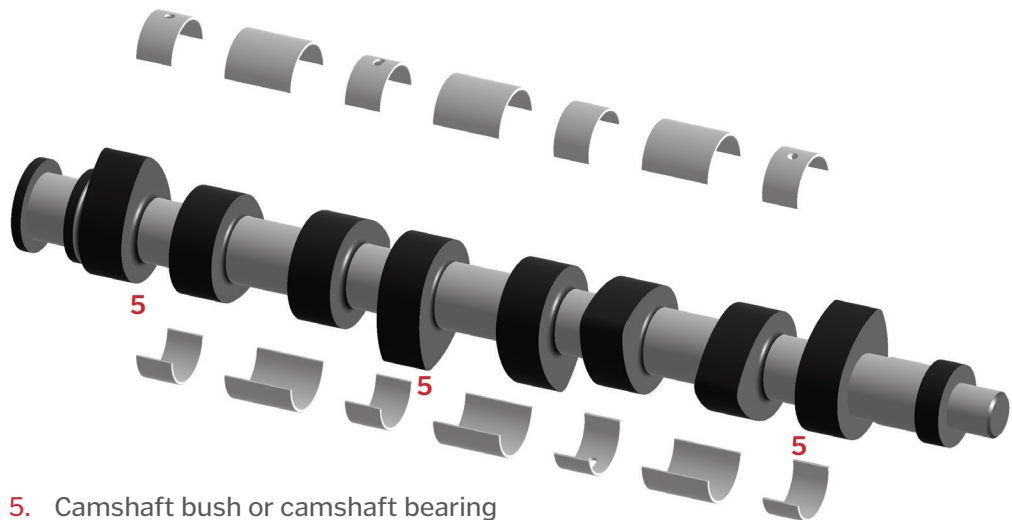


# Bearing Positioning



- 1. Main bearing
- 2. Connecting rod bearing
- 3. Flange bearing or main bearing with thrust washer
- 4. Piston pin bushing



- 5. Camshaft bush or camshaft bearing